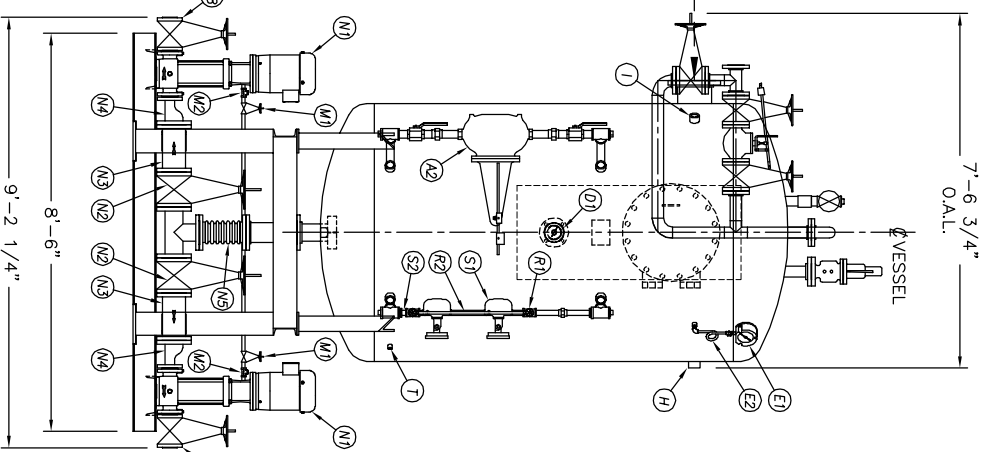
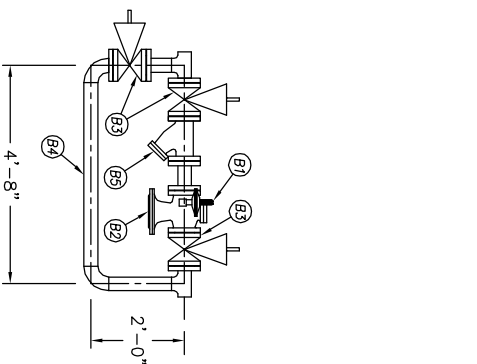
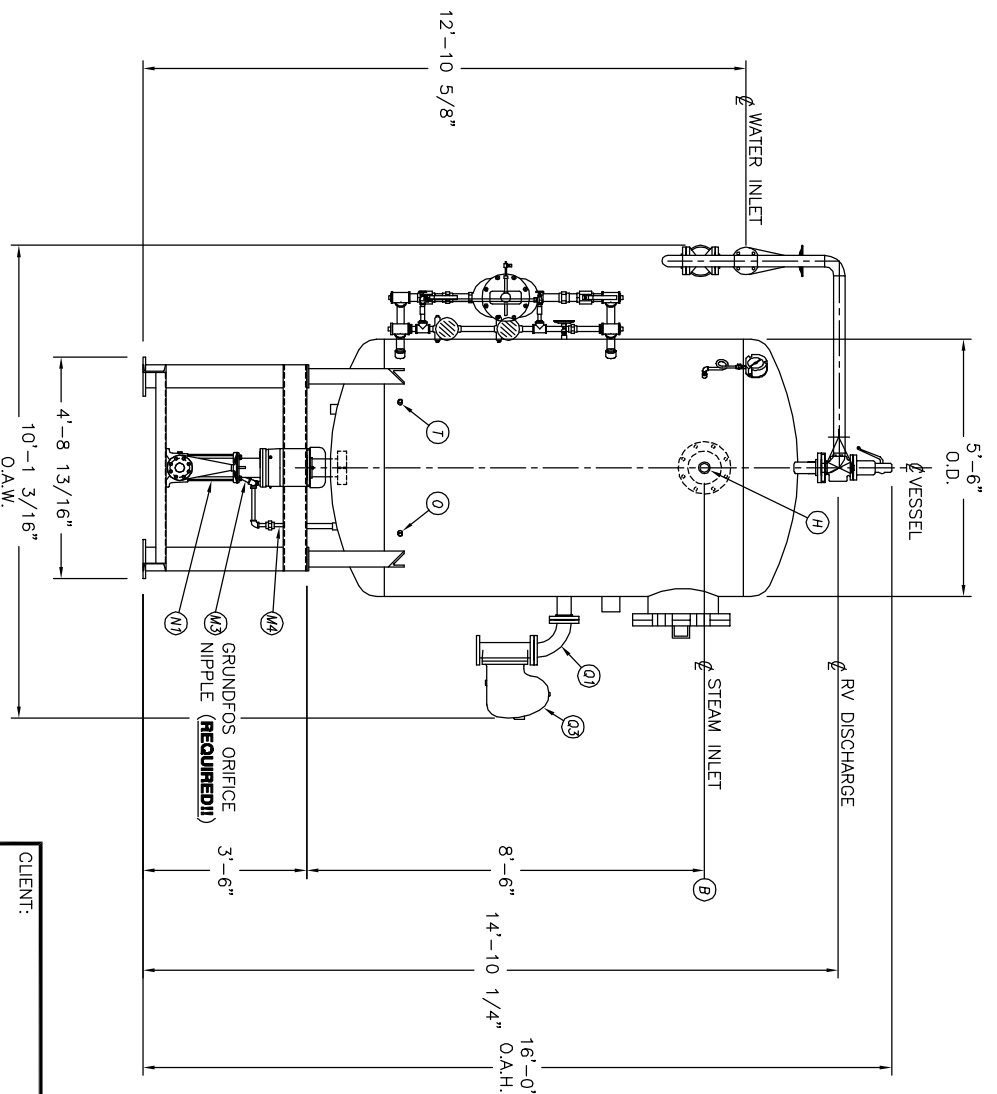


TOP VIEW



FRONT VIEW



END VIEW

A1	INLET VALVE				NONE	
A2	CONTROL VALVE				NONE	
A3	3 BYPASS VALVES	2			NIBCO	T-111
A4	1 MAKE UP BY-PASS PIPING	2			KOD SHOP	
A5	STRAINER				NONE	
B1	STEAM PRV				NONE	
B2	STEAM CONTROLLER				NONE	
B3	BYPASS VALVES				NONE	
B4	STEAM PRV BY-PASS PIPING				NONE	
B5	1 STRAINER			3	MUELLER	752
C1	RELIEF VALVE				NONE	
C2	RELIEF VALVE PIPING				NONE	
D1	THERMOWELL				NONE	
E1	PRESSURE GAUGE				NONE	
E2	SIPHON & COCK				NONE	
E3	PRESSURE TRANS				NONE	
F1	VENT VALVE				NONE	
F2	1 ORIFICE PLATES			#N/A	#N/A	
F3	BYPASS VALVES				NONE	
F4	VENT PIPING				NONE	
G1	IMV SPARE GASKETS				NONE	
H1	VACUUM BREAKER				NONE	
M1	BFP RECIRC SHUTTOFF					
M2	BFP RECIRC CHECK					
M3	BFP ORIFICE / VALVE					
M4	BFP PIPING				NONE	
M5	BFP PRESSURE GAUGE			4	GRUNDFOSS	CR60-50U
M1	2 BOILER FEED PUMPS			4	NIBCO	FS17.0
N2	2 ISOLATION VALVE			4	MUELLER	758
N3	2 STRAINER			4		
N4	2 PIPING			4		
N5	2 EXPANSION JOINT					
N6	BFP DISC PRESSURE GAUGE					
N7	BFP DISC CHECK					
N8	BFP DISCH ISOLATION					
O	CHEMICAL FEED QUILL				NONE	
P	IMV SPARE GASKETS					
Q1	OVERFLOW VALVE				NONE	
Q2	CONTROL VALVE				NONE	
Q3	OVERFLOW PIPING				NONE	
R1	LEVEL SWITCHES				NONE	
R2	1 LEVEL SWITCH BRIDLE PIPING	1 1/2			NIBCO	T-111
S1	1 GAUGE GLASS				NONE	
S2	1 GAUGE GLASS BRIDLE PIPING	1 1/2			NIBCO	T-111
T1						
2	CONTROL PANEL					
	STARTERS				NONE	
1	PUMP STAND			14.2		

NOTES:
 1. CUSTOMER TO FIELD ALIGN PUMPS AND MOTORS, THEN SEND KOD CERTIFICATION PAPERS.
 2. GROUT STAND AS NECESSARY.

THIS DOCUMENT AND THE INFORMATION IT CONTAINS HAVE BEEN FURNISHED FOR USE BY YOUR OWN ORGANIZATION ONLY AND FOR PURPOSE CONSISTENT WITH THE TRANSACTIONS BETWEEN YOUR ORGANIZATION AND KANSAS CITY DEAERATOR COMPANY. NO COPIES OF OR DATA FROM THIS DOCUMENT SHALL BE FURNISHED TO ANY THIRD PARTY WITHOUT THE WRITTEN AGREEMENT OF KANSAS CITY DEAERATOR CO., OVERLAND PARK, KANSAS 66209

NO.	DATE	DESCRIPTION OF CHANGE
-	-	-
-	-	-
-	-	-
-	-	-
-	-	-

CLIENT: _____

KANSAS CITY DEAERATOR CO.
 6731 W. 121st STREET
 OVERLAND PARK, KANSAS 66209
 (913) 338-2111 FAX (913) 338-2144

DWG. NO.: **VTP050-5508-10-CR16-60**

MODEL: VTP50-5508-10-CR16-60

JOB #	SCALE	DESIGNED	DRAWN	CHECKED	DATE	UTD
STD	NTS	MK	GENI	PC	1-15 2004	1-15 2004

TITLE: **GENERAL ARRANGEMENT**