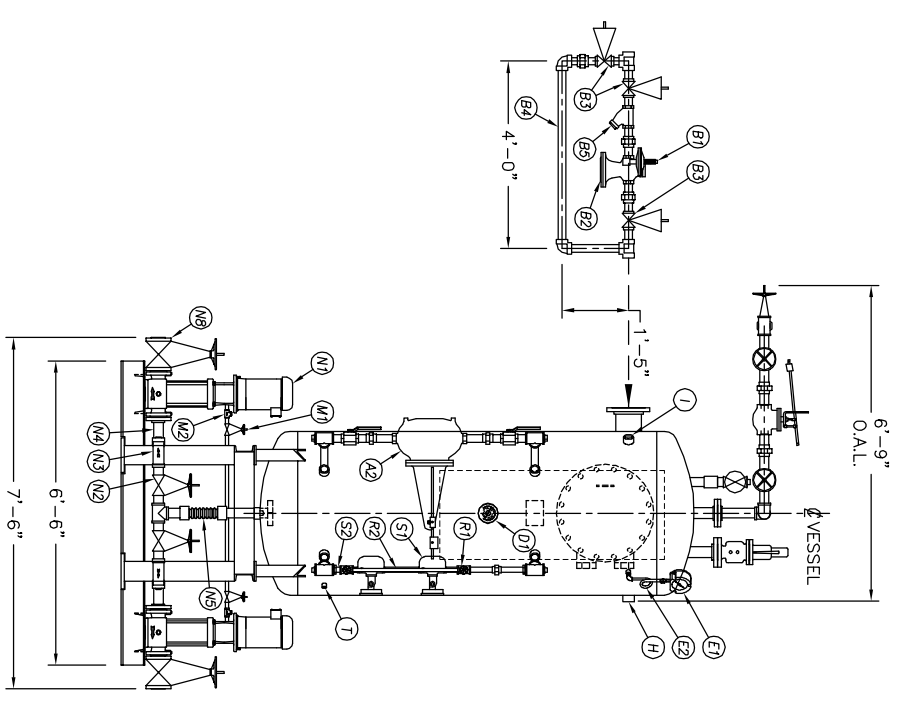
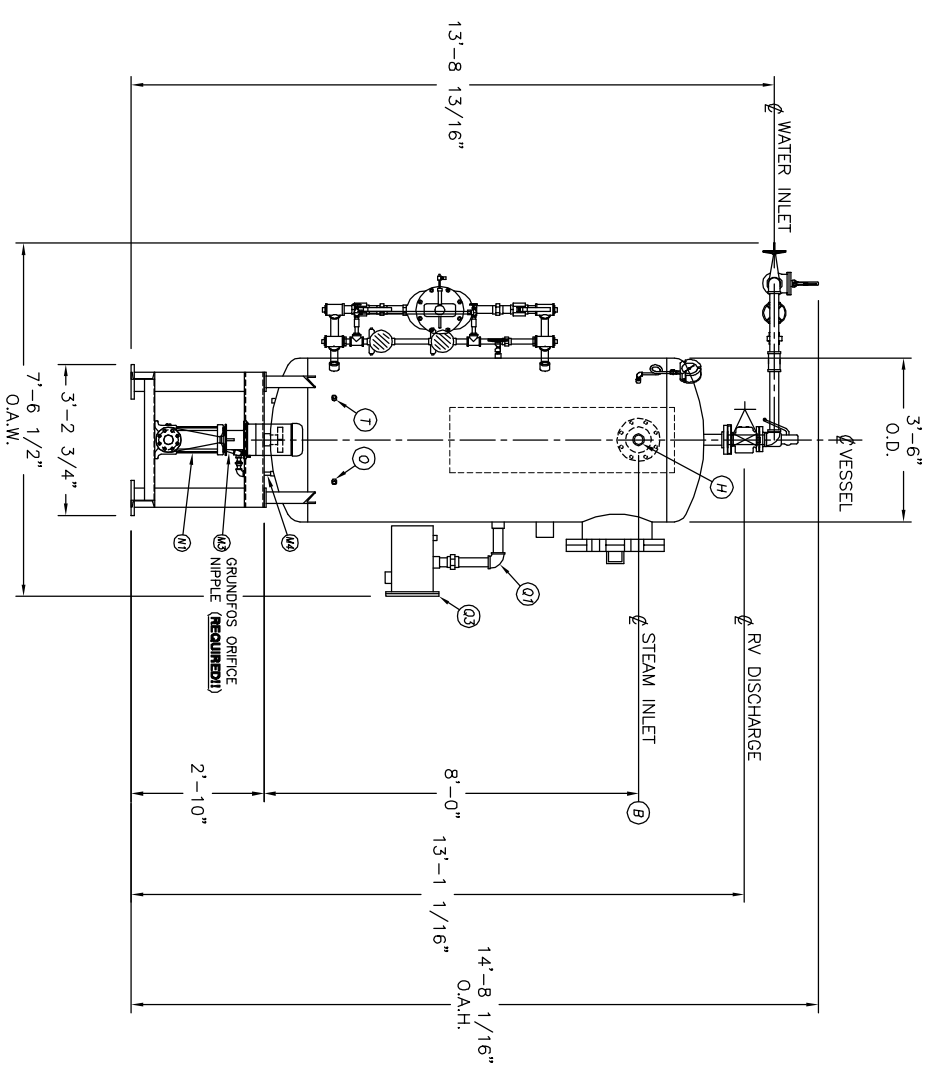


TOP VIEW



FRONT VIEW



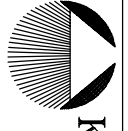
END VIEW

A1	INLET VALVE			NONE	
A2	CONTROLLER			NONE	
A3	3 BYPASS VALVES	2		NIBCO	T-111
A4	1 MAKE UP BY-PASS PIPING	2		KOD SHOP	
A5	STRAINER			NONE	
B1	STEAM PRV			NONE	
B2	STEAM CONTROLLER			NONE	
B3	BYPASS VALVES			NONE	
B4	STEAM PRV BY-PASS PIPING			NONE	
B5	1 STRAINER	3		MUELLER	752
C1	RELIEF VALVE			NONE	
C2	RELIEF VALVE PIPING			NONE	
D1	THERMOWELL			NONE	
E1	PRESSURE GAUGE			NONE	
E2	SIPHON & COCK			NONE	
E3	PRESSURE TRANS			NONE	
F1	VENT VALVE			NONE	
F2	1 ORIFICE PLATES	#N/A		#N/A	
F3	BYPASS VALVES			NONE	
F4	VENT PIPING			NONE	
G1	IMV SPARE GASKETS			NONE	
H1	VACUUM BREAKER			NONE	
M1	BFP RECIRC SHUTTOFF				
M2	BFP RECIRC CHECK				
M3	BFP ORIFICE /VALVE				
M4	BFP PIPING			NONE	
M5	BFP PRESSURE GAUGE	4		GRUNDFOS	CR80-50U
M6	2 BOILER FEED PUMPS	4		NIBCO	F817.0
N2	ISOLATION VALVE	4		MUELLER	758
N3	2 STRAINER	4		KOD SHOP	
N4	2 PIPING	4			
N5	2 EXPANSION JOINT				
N6	BFP DISC PRESSURE GAUGE				
N7	BFP DISC CHECK				
N8	BFP DISCH ISOLATION				
O	CHEMICAL FEED QUILL			NONE	
P	IMV SPARE GASKETS				
Q1	OVERFLOW VALVE			NONE	
Q2	CONTROLLER			NONE	
Q3	OVERFLOW PIPING			NONE	
R1	LEVEL SWITCHES	1 1/2		NONE	T-111
R2	1 GAUGE GLASS BRIDLE PIPING	1 1/2		NONE	T-111
S1	GAUGE GLASS			NONE	
S2	1 GAUGE GLASS BRIDLE PIPING	1 1/2		NIBCO	T-111
T1					
2	CONTROL PANEL STARTERS		NONE		
1	PUMP STAND		14.2		

**NOTES:**  
 1. CUSTOMER TO FIELD ALIGN PUMPS AND MOTORS, THEN SEND KOD CERTIFICATION PAPERS.  
 2. GROUT STAND AS NECESSARY.

THIS DOCUMENT AND THE INFORMATION IT CONTAINS HAVE BEEN FURNISHED FOR USE BY YOUR OWN ORGANIZATION ONLY AND FOR PURPOSE CONSISTENT WITH THE TRANSACTION BETWEEN YOUR ORGANIZATION AND KANSAS CITY DEAERATOR COMPANY. NO COPIES OF OR DATA FROM THIS DOCUMENT SHALL BE FURNISHED TO ANY THIRD PARTY WITHOUT THE WRITTEN AGREEMENT OF KANSAS CITY DEAERATOR CO., OVERLAND PARK, KANSAS 66209

NO.	DATE	DESCRIPTION OF CHANGE
-	-	-
-	-	-
-	-	-

CLIENT:  **KANSAS CITY DEAERATOR CO.**  
 6731 W. 121st STREET  
 OVERLAND PARK, KANSAS 66209  
 (913) 338-2111 FAX (913) 338-2144

JOB #	SCALE	DESIGNED	DRAWN	CHECKED	DATE	UTD
STD	NTS	MK	GENI	PC	1-21 2004	1-21 2004

TITLE: **GENERAL ARRANGEMENT**  
 MODEL: VTP32-3508-10-CR8-80  
 DWG. NO.: **VTP032-3508-10-CR8-80**