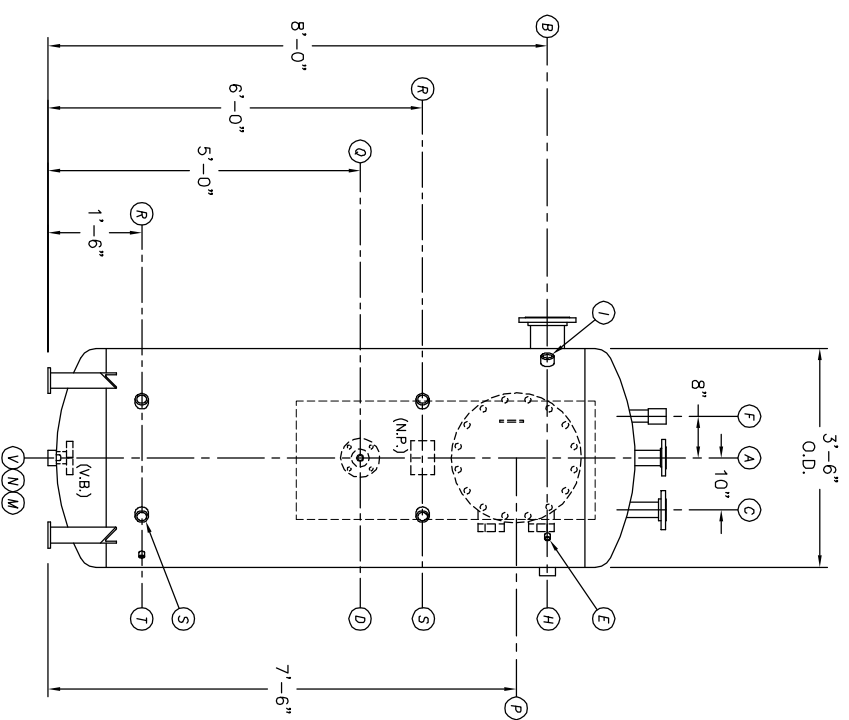
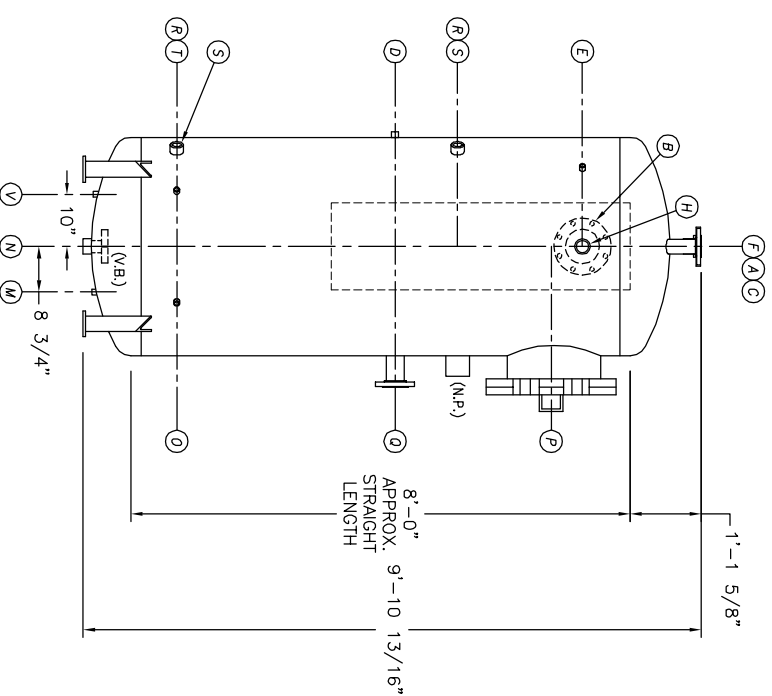


TOP VIEW



FRONT VIEW



END VIEW

- NOTES:**
1. SEE CONNECTION SCHEDULE FOR NOZZLE DESCRIPTIONS.
  2. STRAIGHT LENGTHS ARE APPROXIMATE. OVERALL LENGTH (OAL) IS TO BE HELD.
  3. FOR MISCELLANEOUS DETAILS SEE MD DRAWINGS
  4. DIMENSIONS ARE GIVEN FROM CENTER LINE OF TANKS TO NOZZLE CENTER LINE OR OUTSIDE FACE OF FLANGE.
  5. G.B. = GRAB BAR  
V.B. = VORTEX BREAKER  
N.P. = NAME PLATE  
F.S. = FAR SIDE  
D.S. = DRIP SHIELD  
N.S. = NEAR SIDE  
T.B. = TEE BATTLE  
CL = CENTER LINE

**NOTE:**  
PUMP SUCTION NOZZLES  
WILL BE ADDED TO MATCH  
ANY PUMPS SUPPLIED BY KCD

THIS DOCUMENT AND THE INFORMATION IT CONTAINS HAVE BEEN FURNISHED FOR USE BY YOUR OWN ORGANIZATION ONLY AND FOR PURPOSE CONSISTENT WITH THE TRANSACTION BETWEEN YOUR ORGANIZATION AND KANSAS CITY DEAERATOR COMPANY. NO COPIES OF OR DATA FROM THIS DOCUMENT SHALL BE FURNISHED TO ANY THIRD PARTY WITHOUT THE WRITTEN AGREEMENT OF KANSAS CITY DEAERATOR CO., OVERLAND PARK, KANSAS 66209

NO.	DATE	DESCRIPTION OF CHANGE
-	-	-
-	-	-
-	-	-

CLIENT:		KANSAS CITY DEAERATOR CO.	
JOB #		SCALE	DESIGNED
STD	NTS	MK	GENI
TITLE:		PC	DATE
MODEL: VTP32-3508-05		1-8	2004
DWG. NO.:		1-8	2004
VTP032-3508-05			

6731 W. 121st STREET  
OVERLAND PARK, KANSAS 66209  
(913) 338-2111 FAX (913) 338-2144