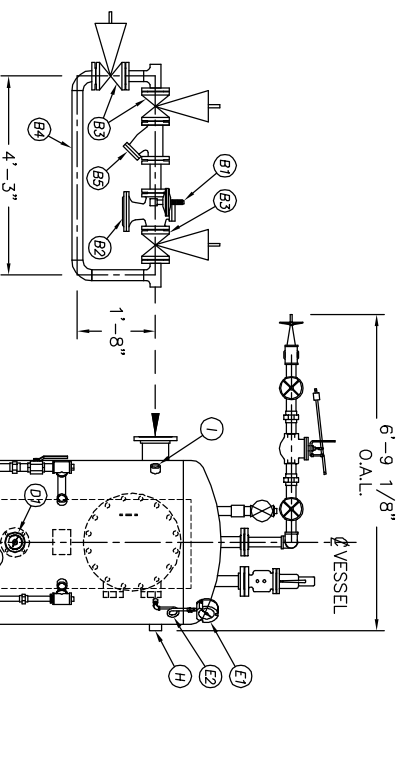
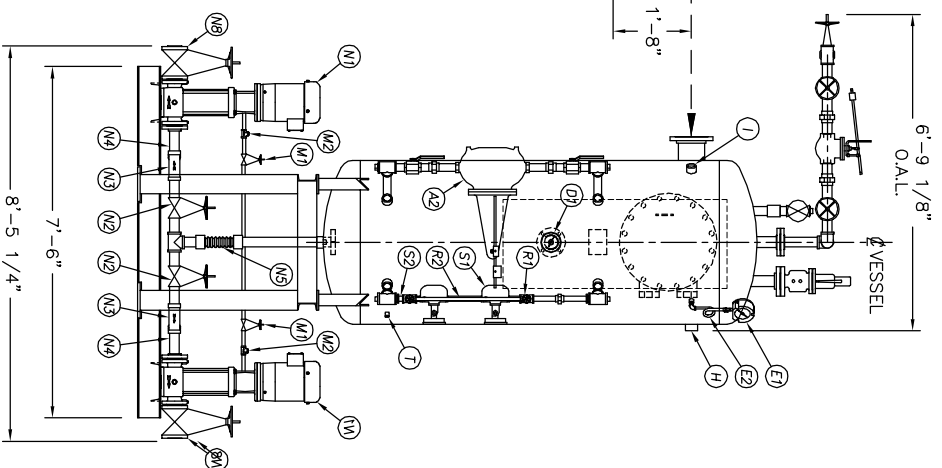


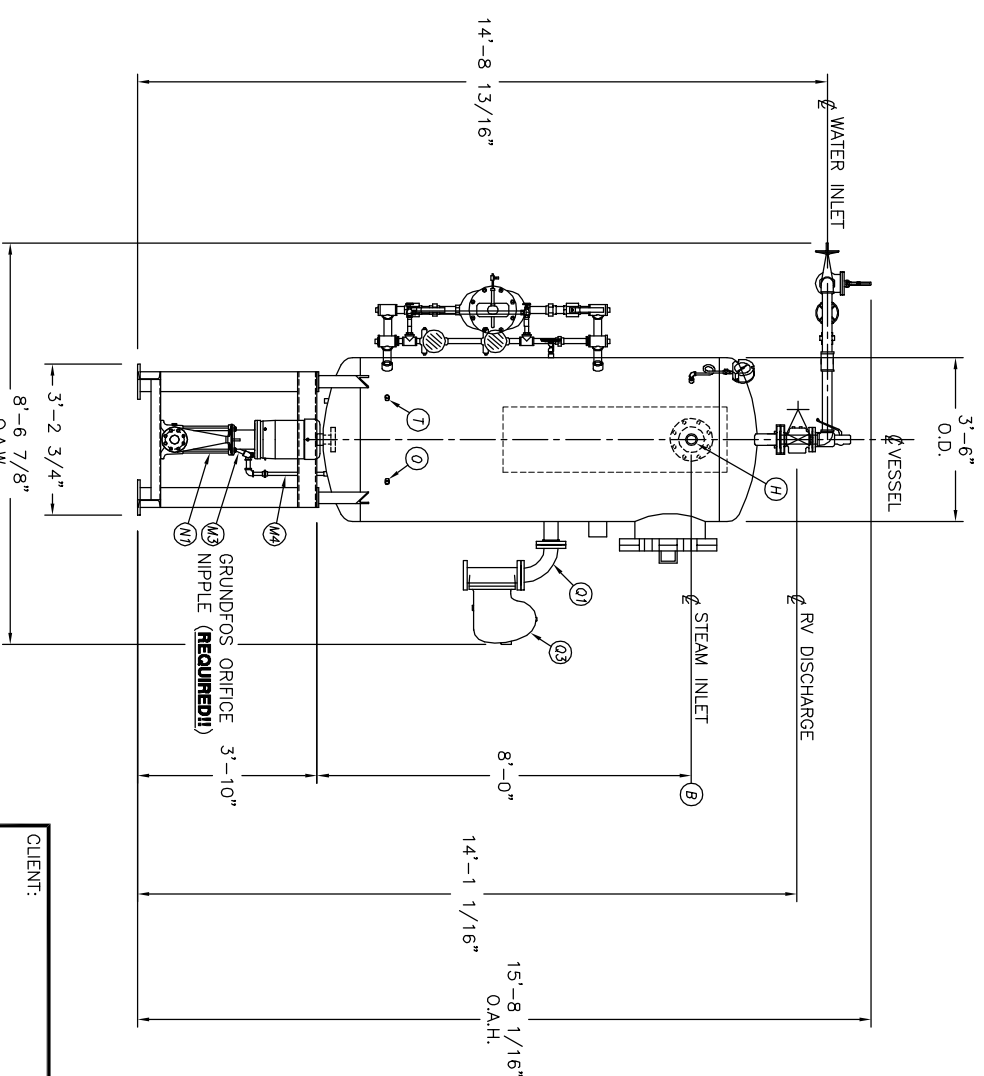
TOP VIEW



FRONT VIEW



END VIEW



|    |                              |       |           |          |
|----|------------------------------|-------|-----------|----------|
| A1 | INLET VALVE                  |       | NONE      |          |
| A2 | CONTROLLER                   |       | NONE      |          |
| A3 | 3 BYPASS VALVES              | 2     | NIBCO     | T-111    |
| A4 | 1 MAKE UP BY-PASS PIPING     | 2     | KOD SHOP  |          |
| A5 | STRAINER                     |       | NONE      |          |
| B1 | STEAM PRV                    |       | NONE      |          |
| B2 | STEAM CONTROLLER             |       | NONE      |          |
| B3 | BYPASS VALVES                |       | NONE      |          |
| B4 | STEAM PRV BY-PASS PIPING     |       | NONE      |          |
| B5 | 1 STRAINER                   | 3     | MUELLER   | 782      |
| C1 | RELIEF VALVE                 |       | NONE      |          |
| C2 | RELIEF VALVE PIPING          |       | NONE      |          |
| D1 | THERMOWELL                   |       | NONE      |          |
| E1 | PRESSURE GAUGE               |       | NONE      |          |
| E2 | SIPHON & COCK                |       | NONE      |          |
| E3 | PRESSURE TRANS               |       | NONE      |          |
| F1 | VENT VALVE                   |       | NONE      |          |
| F2 | 1 ORIFICE PLATES             | #N/A  | #N/A      |          |
| F3 | BYPASS VALVES                |       | NONE      |          |
| F4 | VENT PIPING                  |       | NONE      |          |
| G1 | IMV SPARE GASKETS            |       | NONE      |          |
| H1 | VACUUM BREAKER               |       | NONE      |          |
| M1 | BFP RECIRC SHUTTOFF          |       |           |          |
| M2 | BFP RECIRC CHECK             |       |           |          |
| M3 | BFP ORIFICE / VALVE          |       |           |          |
| M4 | BFP PIPING                   |       | NONE      |          |
| M5 | BFP PRESSURE GAUGE           | 4     | GRUNDFOSS | CR60-50U |
| M1 | 2 BOILER FEED PUMPS          | 4     | NIBCO     | FS17.0   |
| N2 | ISOLATION VALVE              | 4     | MUELLER   | 788      |
| N3 | 2 STRAINER                   | 4     | KOD SHOP  |          |
| N4 | 2 PIPING                     | 4     |           |          |
| N5 | 2 EXPANSION JOINT            |       |           |          |
| N6 | BFP DISC PRESSURE GAUGE      |       |           |          |
| N7 | BFP DISC CHECK               |       |           |          |
| N8 | BFP DISCH ISOLATION          |       |           |          |
| O  | CHEMICAL FEED QUILL          |       | NONE      |          |
| P  | IMV SPARE GASKETS            |       |           |          |
| Q1 | OVERFLOW VALVE               |       | NONE      |          |
| Q2 | CONTROLLER                   |       | NONE      |          |
| Q3 | OVERFLOW PIPING              |       | NONE      |          |
| R1 | LEVEL SWITCHES               | 1 1/2 | NIBCO     | T-111    |
| R2 | 1 LEVEL SWITCH BRIDLE PIPING | 1 1/2 | NIBCO     | T-111    |
| S1 | 1 GAUGE GLASS                |       | NONE      |          |
| S2 | 1 GAUGE GLASS BRIDLE PIPING  | 1 1/2 | NIBCO     | T-111    |
| T1 |                              |       |           |          |
| 2  | CONTROL PANEL                |       |           |          |
|    | STARTERS                     |       | NONE      |          |
| 1  | PUMP STAND                   | 14.2  |           |          |

**NOTES:**  
 1. CUSTOMER TO FIELD ALIGN PUMPS AND MOTORS, THEN SEND KOD CERTIFICATION PAPERS.  
 2. GROUT STAND AS NECESSARY.

THIS DOCUMENT AND THE INFORMATION IT CONTAINS HAVE BEEN FURNISHED FOR USE BY YOUR OWN ORGANIZATION ONLY AND FOR PURPOSE CONSISTENT WITH THE TRANSACTIONS BETWEEN YOUR ORGANIZATION AND KANSAS CITY DEAERATOR COMPANY. NO COPIES OF OR DATA FROM THIS DOCUMENT SHALL BE FURNISHED TO ANY THIRD PARTY WITHOUT THE WRITTEN AGREEMENT OF KANSAS CITY DEAERATOR CO., OVERLAND PARK, KANSAS 66209

|     |      |                       |
|-----|------|-----------------------|
| NO. | DATE | DESCRIPTION OF CHANGE |
| -   | -    | -                     |
| -   | -    | -                     |
| -   | -    | -                     |
| -   | -    | -                     |

CLIENT:  **KANSAS CITY DEAERATOR CO.**  
 6731 W. 121st STREET  
 OVERLAND PARK, KANSAS 66209  
 (913) 338-2111 FAX (913) 338-2144

TITLE: **GENERAL ARRANGEMENT**

MODEL: VTP32-3508-05-CR16-60

| JOB # | SCALE | DESIGNED | DRAWN | CHECKED | DATE      | UTD       |
|-------|-------|----------|-------|---------|-----------|-----------|
| STD   | NTS   | MK       | GENI  | PC      | 1-16 2004 | 1-16 2004 |

DWG. NO.: **VTP032-3508-05-CR16-60**