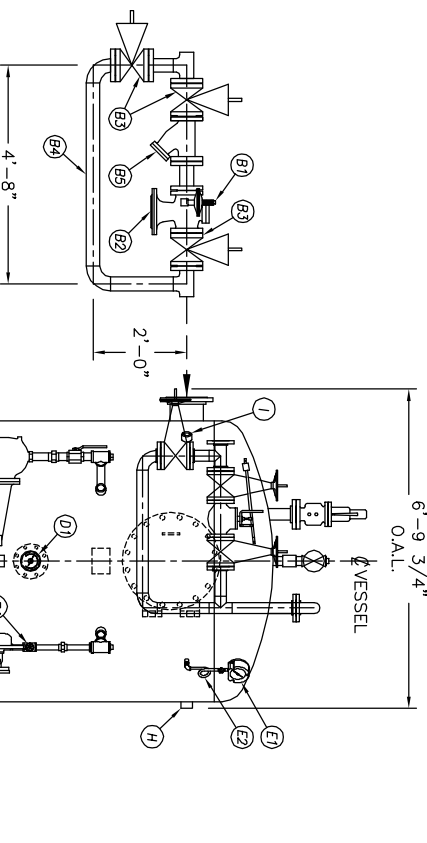
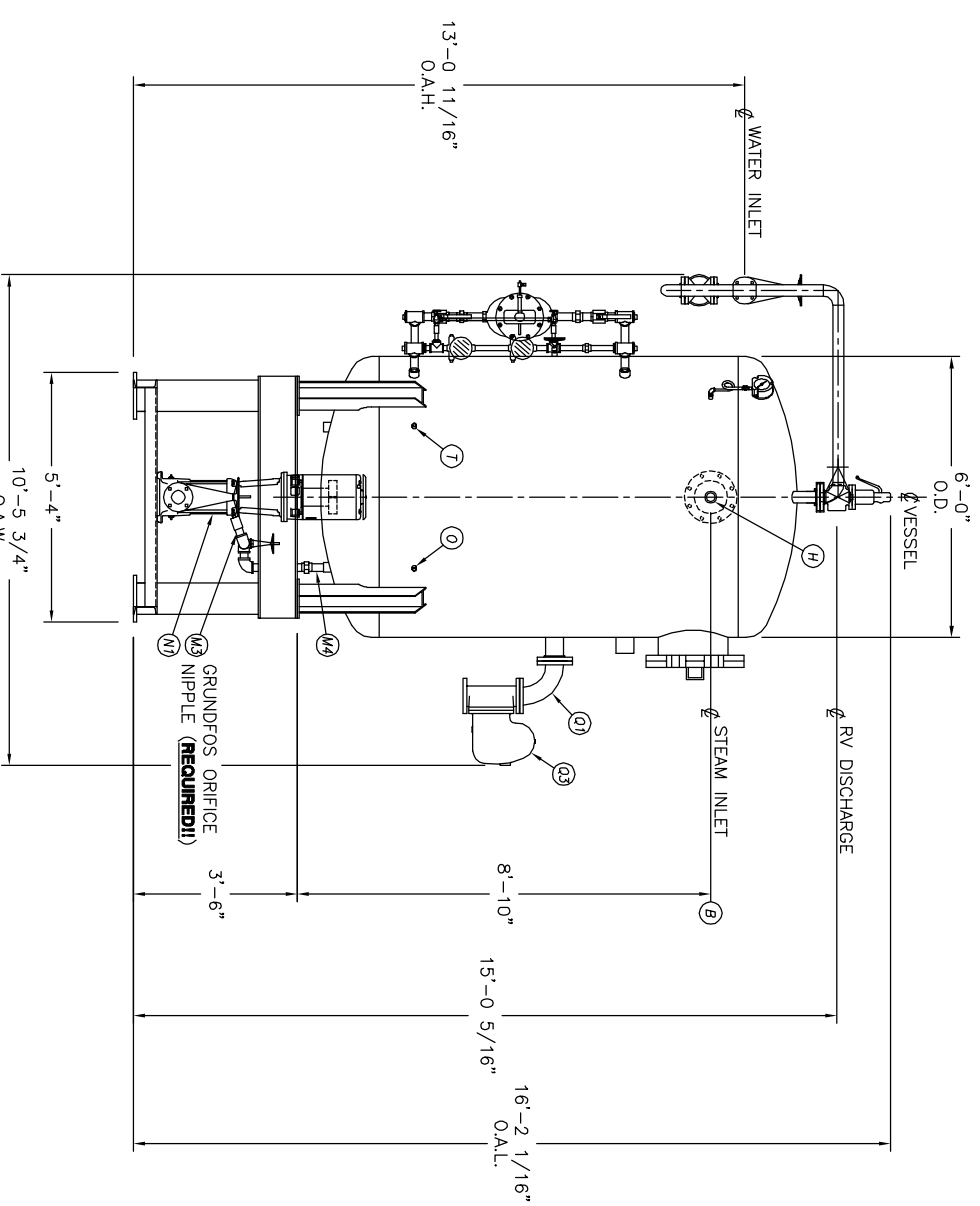


TOP VIEW



FRONT VIEW



END VIEW

A1	INLET VALVE								
A2	CONTROLLER								
A3	3 BYPASS VALVES	2							NONE
A4	1 MAKE UP BY-PASS PIPING	2							NIBCO T-111
A5	1 STRAINER								KOD SHOP
B1	STEAM PRV								NONE
B2	STEAM CONTROLLER								NONE
B3	BYPASS VALVES								NONE
B4	STEAM PRV BY-PASS PIPING								NONE
B5	1 STRAINER	3							MUELLER 782
C1	RELIEF VALVE								NONE
C2	RELIEF VALVE PIPING								NONE
D1	THERMOWELL								NONE
E1	PRESSURE GAUGE								NONE
E2	SIPHON & COCK								NONE
E3	PRESSURE TRANS								NONE
F1	VENT VALVE								NONE
F2	1 ORIFICE PLATES	#N/A							#N/A
F3	BYPASS VALVES								NONE
F4	VENT PIPING								NONE
G1	IMV SPARE GASKETS								NONE
H1	VACUUM BREAKER								NONE
M1	BFP RECIRC SHUTTOFF								
M2	BFP RECIRC CHECK								
M3	BFP ORIFICE /VALVE								
M4	BFP PIPING								NONE
M5	BFP PRESSURE GAUGE								
M6	2 BOILER FEED PUMPS	4							GRUNDFOS CR60-50U
N2	2 ISOLATION VALVE	4							NIBCO F817.0
N3	2 STRAINER	4							MUELLER 788
N4	2 PIPING	4							KOD SHOP
N5	2 EXPANSION JOINT	4							
N6	BFP DISC PRESSURE GAUGE								
N7	BFP DISC CHECK								
N8	BFP DISCH ISOLATION								
O	CHEMICAL FEED QUILL								NONE
P	IMV SPARE GASKETS								
Q1	OVERFLOW VALVE								NONE
Q2	CONTROLER								NONE
Q3	OVERFLOW PIPING								NONE
R1	LEVEL SWITCHES								NONE
R2	1 LEVEL SWITCH BRIDLE PIPING	1 1/2							NIBCO T-111
S1	1 GAUGE GLASS								NONE
S2	1 GAUGE GLASS BRIDLE PIPING	1 1/2							NIBCO T-111
T1									
2	CONTROL PANEL								
	STARTERS								NONE
1	PUMP STAND								14.2

- NOTES:**
1. CUSTOMER TO FIELD ALIGN PUMPS AND MOTORS, THEN SEND KOD CERTIFICATION PAPERS.
 2. GROUT STAND AS NECESSARY.

THIS DOCUMENT AND THE INFORMATION IT CONTAINS HAVE BEEN FURNISHED FOR USE BY YOUR OWN ORGANIZATION ONLY AND FOR PURPOSE CONSISTENT WITH THE TRANSAKCTION BETWEEN YOUR ORGANIZATION AND KANSAS CITY DEAERATOR COMPANY. NO COPIES OF OR DATA FROM THIS DOCUMENT SHALL BE FURNISHED TO ANY THIRD PARTY WITHOUT THE WRITTEN AGREEMENT OF KANSAS CITY DEAERATOR CO., OVERLAND PARK, KANSAS 66209

NO.	DATE
-	-
-	-
-	-

DESCRIPTION OF CHANGE	BY
-	-
-	-
-	-

CLIENT:

KANSAS CITY DEAERATOR CO.
 6731 W. 121st STREET
 OVERLAND PARK, KANSAS 66209
 (913) 338-2111 FAX (913) 338-2144

JOB #	SCALE	DESIGNED	DRAWN	CHECKED	DATE	UTD
STD	NTS	MK	GENI	PC	10-20 2003	10-20 2003
TITLE: GENERAL ARRANGEMENT						
MODEL: VSP-6008-060						
DWG. NO.: VSP6008-060-CR45-3						