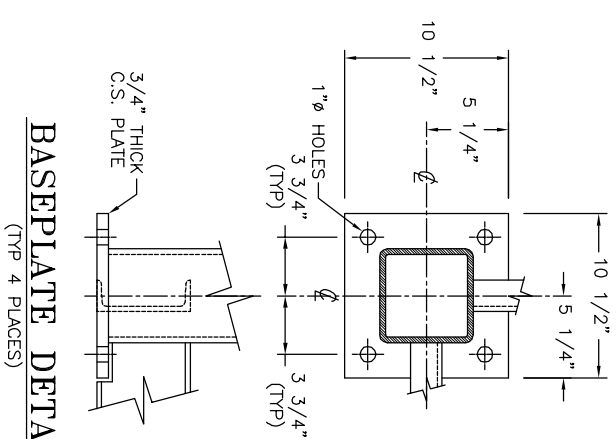
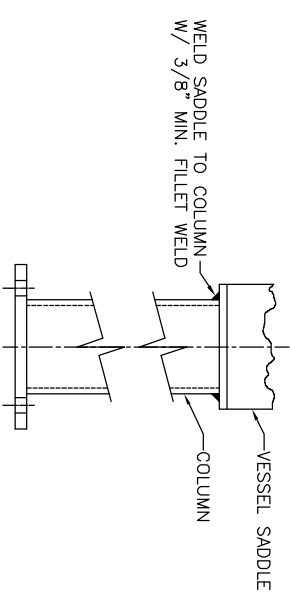
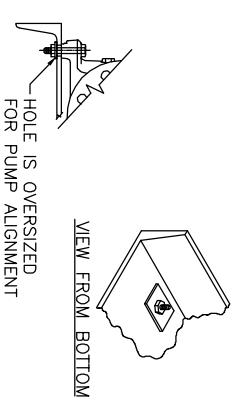


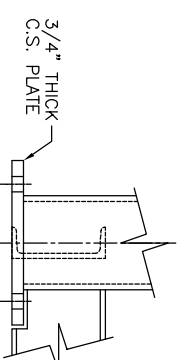
SADDLE WELD DETAIL
(TYP 4 PLACES)



PUMP SUPPORT DETAIL



BASEPLATE DETAIL
(TYP 4 PLACES)



A1	INLET VALVE		NONE	
A2	CONTROLLER		NONE	
A3	BYPASS VALVES	2	NIBCO	T-111
A4	MAKE UP BY-PASS PIPING	2	KOD SHOP	
A5	STRAINER		NONE	
B1	STEAM PRV		NONE	
B2	STEAM CONTROLLER		NONE	
B3	BYPASS VALVES		NONE	
B4	STEAM PRV BY-PASS PIPING	3	NONE	
B5	STRAINER		MUELLER	752
C1	RELIEF VALVE		NONE	
C2	RELIEF VALVE PIPING		NONE	
D1	THERMOWELL		NONE	
E1	PRESSURE GAUGE		NONE	
E2	SIPHON & COCK		NONE	
E3	PRESSURE TRANS		NONE	
F1	VENT VALVE		NONE	
F2	ORIFICE PLATES	#N/A	#N/A	
F3	BY-PASS VALVES		NONE	
F4	VENT PIPING		NONE	
G1	IMV SPARE GASKETS		NONE	
H1	VACUUM BREAKER		NONE	
M1	BFP RECIRC SHUTTOFF			
M2	BFP RECIRC CHECK			
M3	BFP ORIFICE /VALVE			
M4	BFP PIPING		NONE	
M5	BFP PRESSURE GAUGE	4	GRUNDFOS	CR60-50U
M1	BOILER FEED PUMPS	4	NIBCO	F817.0
N2	ISOLATION VALVE	4	MUELLER	758
N3	2 STRAINER	4	KOD SHOP	
N4	2 PIPING	4		
N5	2 EXPANSION JOINT	4		
N6	BFP DISC PRESSURE GAUGE			
N7	BFP DISC CHECK			
N8	BFP DISCH ISOLATION			
O	CHEMICAL FEED QUILL		NONE	
P	IMV SPARE GASKETS		NONE	
Q1	OVERFLOW VALVE		NONE	
Q2	CONTROLLER		NONE	
Q3	OVERFLOW PIPING		NONE	
R1	LEVEL SWITCHES	1 1/2	NONE	
R2	LEVEL SWITCH BRIDLE PIPING	1 1/2	NIBCO	T-111
S1	GAUGE GLASS		NONE	
S2	1 GAUGE GLASS BRIDLE PIPING	1 1/2	NIBCO	T-111
T1				
2	CONTROL PANEL STARTERS		NONE	
1	PUMP STAND	14.2		

NOTE:
CUSTOMER TO FIELD ALIGN PUMPS AND MOTORS, THEN SEND KOD CERTIFICATION PAPERS.

THIS DOCUMENT AND THE INFORMATION IT CONTAINS HAVE BEEN FURNISHED FOR USE BY YOUR OWN ORGANIZATION ONLY AND FOR PURPOSE CONSISTENT WITH THE TRANSACTIONS BETWEEN YOUR ORGANIZATION AND KANSAS CITY DEAERATOR COMPANY. NO COPIES OF OR DATA FROM THIS DOCUMENT SHALL BE FURNISHED TO ANY THIRD PARTY WITHOUT THE WRITTEN AGREEMENT OF KANSAS CITY DEAERATOR CO., OVERLAND PARK, KANSAS 66209

NO.	DATE	DESCRIPTION OF CHANGE	BY

CLIENT: **KANSAS CITY DEAERATOR CO.**
6731 W. 121st STREET
OVERLAND PARK, KANSAS 66209
(913) 338-2111 FAX (913) 338-2144

JOB # SCALE DESIGNED DRAWN CHECKED DATE UTD
STD NTS MK GENI PC 06-10 06-10 2004 2004

TITLE: **GENERAL ARRANGEMENT PACKAGE - TCP5512**
MODEL: TCP122

DWG. NO.: **TCP122-5512-cr64-3**