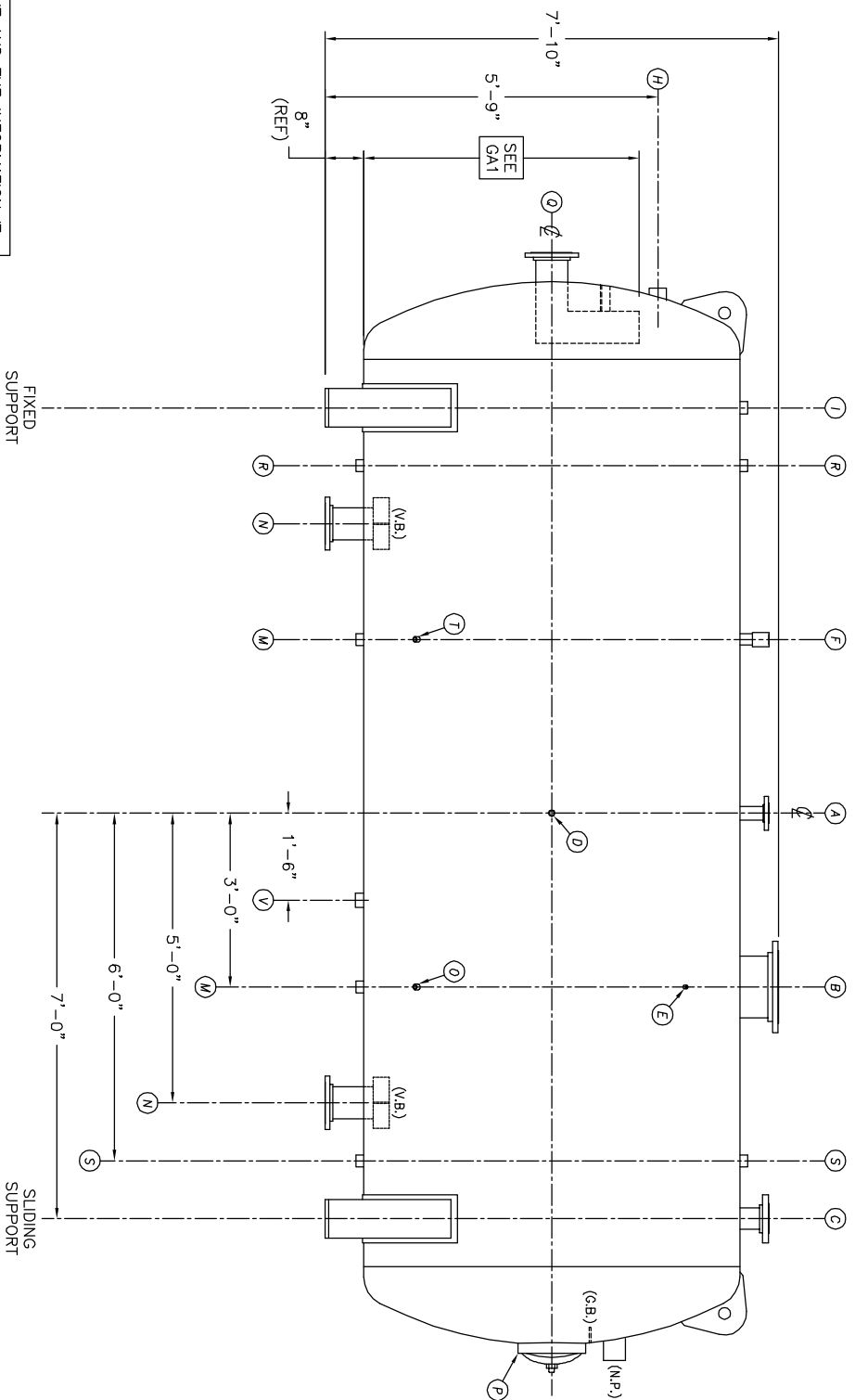
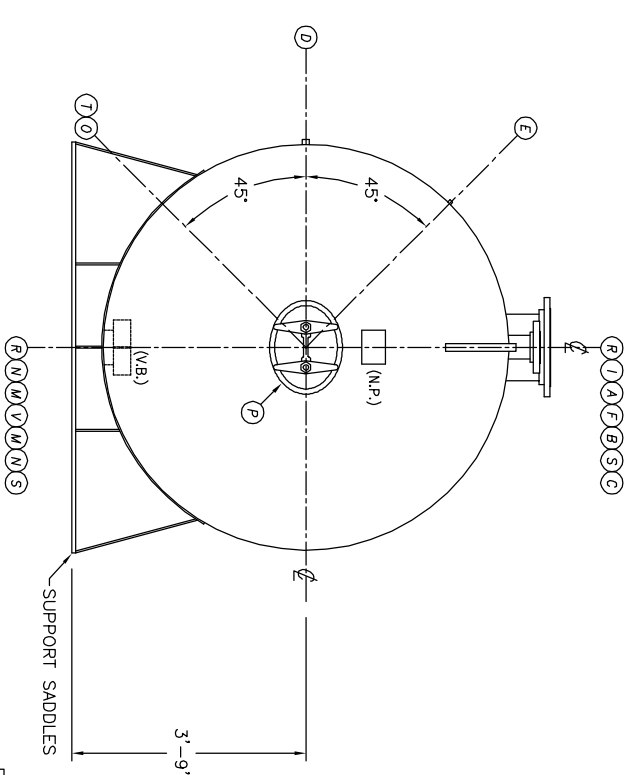


TOP VIEW



FRONT VIEW



END VIEW

NOTE:
PUMP SUCTION NOZZLES
WILL BE ADDED TO MATCH
ANY PUMPS SUPPLIED BY KCD

- NOTES:**
1. SEE CONNECTION SCHEDULE FOR NOZZLE DESCRIPTIONS.
 2. STRAIGHT LENGTHS ARE APPROXIMATE. OVERALL LENGTH (OAL) IS TO BE HELD.
 3. FOR MISCELLANEOUS DETAILS SEE MD DRAWINGS
 4. DIMENSIONS ARE GIVEN FROM CENTER LINE OF TANKS TO NOZZLE CENTER LINE OR OUTSIDE FACE OF FLANGE.
 5. G.B. = GRAB BAR
V.B. = VORTEX BREAKER
N.P. = NAME PLATE
F.S. = FAR SIDE
- D.S. = DRIP SHIELD
N.S. = NEAR SIDE
T.B. = TEE BAR/TEE
CL = CENTER LINE

THIS DOCUMENT AND THE INFORMATION IT CONTAINS HAVE BEEN FURNISHED FOR USE BY YOUR OWN ORGANIZATION ONLY AND FOR PURPOSE CONSISTENT WITH THE TRANSACTIONS BETWEEN YOUR ORGANIZATION AND KANSAS CITY DEARATOR COMPANY. NO COPIES OF OR DATA FROM THIS DOCUMENT SHALL BE FURNISHED TO ANY THIRD PARTY WITHOUT THE WRITTEN AGREEMENT OF KANSAS CITY DEARATOR CO., OVERLAND PARK, KANSAS 66209

NO.	DATE	DESCRIPTION OF CHANGE
-	-	-
-	-	-
-	-	-

CLIENT:		KANSAS CITY DEARATOR CO.	
JOB #		SCALE	DESIGNED
STD	NTS	MK	GENI
TITLE:		PC	DATE
GENERAL ARRANGEMENT		2003	6-10
MODEL: HS6416		UTD	6-10
DWG. NO.:		HS6516	

6731 W. 121st STREET
OVERLAND PARK, KANSAS 66209
(913) 338-2111 FAX (913) 338-2144