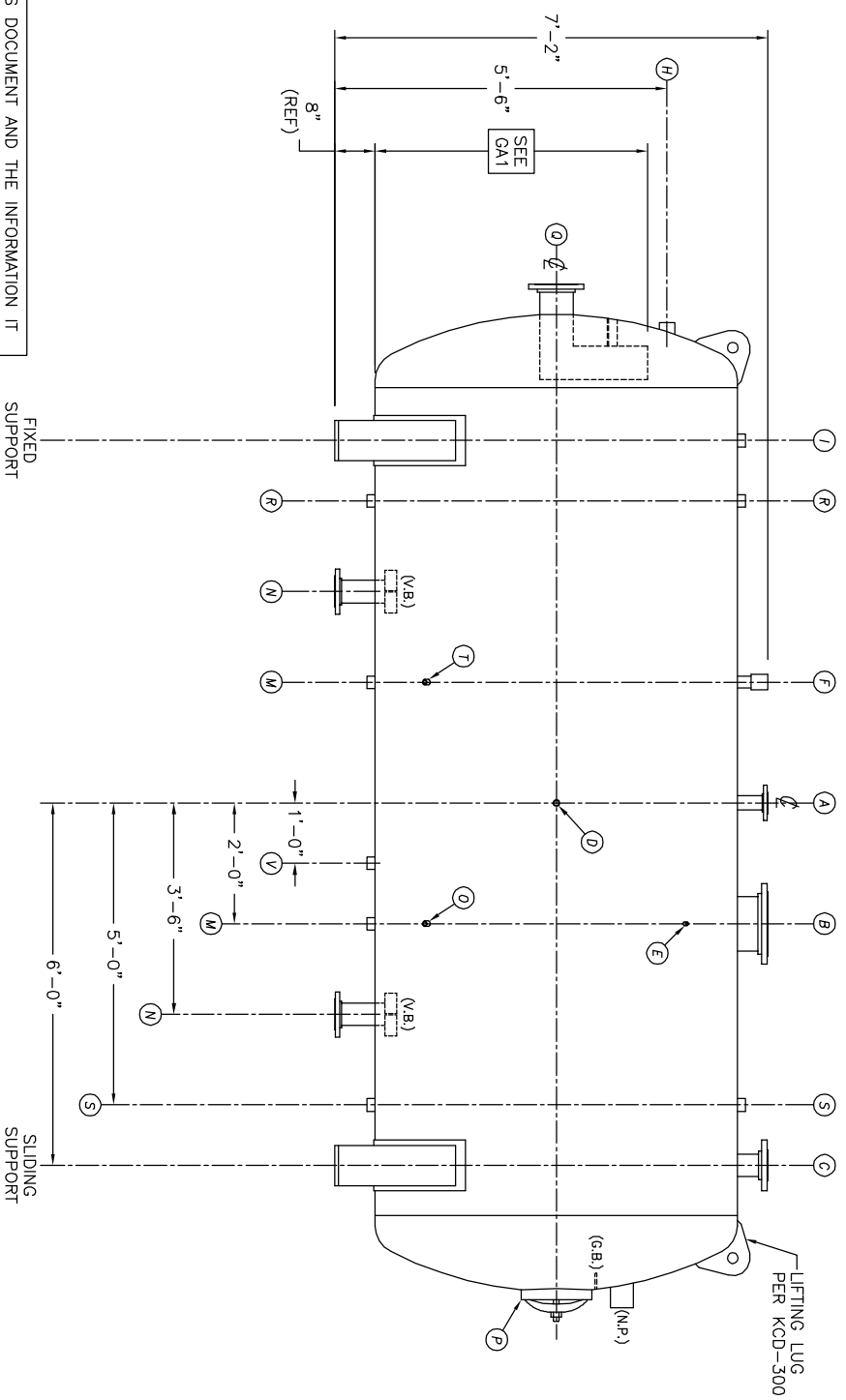
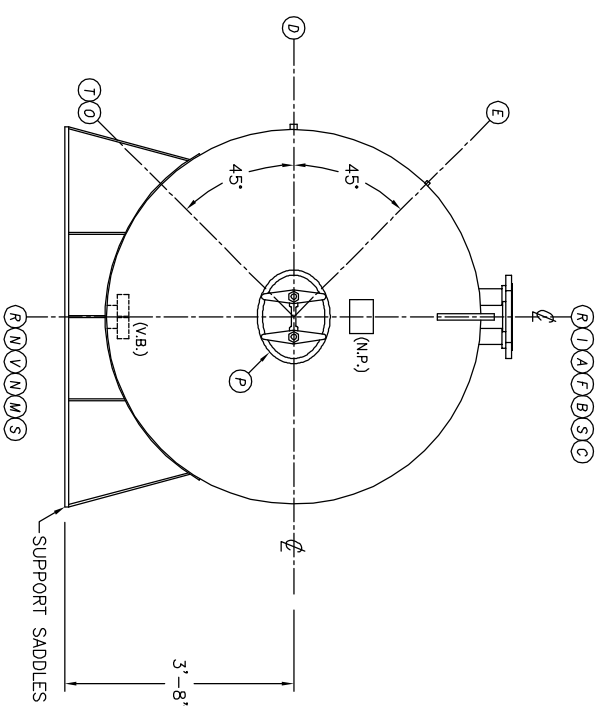


TOP VIEW



FRONT VIEW



END VIEW

- NOTES:**
1. SEE CONNECTION SCHEDULE FOR NOZZLE DESCRIPTIONS.
 2. STRAIGHT LENGTHS ARE APPROXIMATE. OVERALL LENGTH (OAL) IS TO BE HELD.
 3. FOR MISCELLANEOUS DETAILS SEE MD DRAWINGS
 4. DIMENSIONS ARE GIVEN FROM CENTER LINE OF TANKS TO NOZZLE CENTER LINE OR OUTSIDE FACE OF FLANGE.
 5. G.B. = GRAB BAR
V.B. = VORTEX BREAKER
N.P. = NAME PLATE
F.S. = FAR SIDE
- D.S. = DRIP SHIELD
N.S. = NEAR SIDE
T.B. = TEE BATTLE
CL = CENTER LINE

NOTE:
PUMP SUCTION NOZZLES
WILL BE ADDED TO MATCH
ANY PUMPS SUPPLIED BY KCD

FIXED SUPPORT

SLIDING SUPPORT

THIS DOCUMENT AND THE INFORMATION IT CONTAINS HAVE BEEN FURNISHED FOR USE BY YOUR OWN ORGANIZATION ONLY AND FOR PURPOSE CONSISTENT WITH THE TRANSACTIONS BETWEEN YOUR ORGANIZATION AND KANSAS CITY DEAERATOR COMPANY. NO COPIES OF OR DATA FROM THIS DOCUMENT SHALL BE FURNISHED TO ANY THIRD PARTY WITHOUT THE WRITTEN AGREEMENT OF KANSAS CITY DEAERATOR CO., OVERLAND PARK, KANSAS 66209

NO.	DATE	DESCRIPTION OF CHANGE
-	-	-
-	-	-
-	-	-

CLIENT: **KANSAS CITY DEAERATOR CO.**
6731 W. 121st STREET
OVERLAND PARK, KANSAS 66209
(913) 338-2111 FAX (913) 338-2144

JOB #	SCALE	DESIGNED	DRAWN	CHECKED	DATE	UTD
STD	NTS	MK	GENI	PC	2003	8-4 2003

TITLE: **GENERAL ARRANGEMENT**

MODEL: HS6014

DWG. NO.: **HS6014**