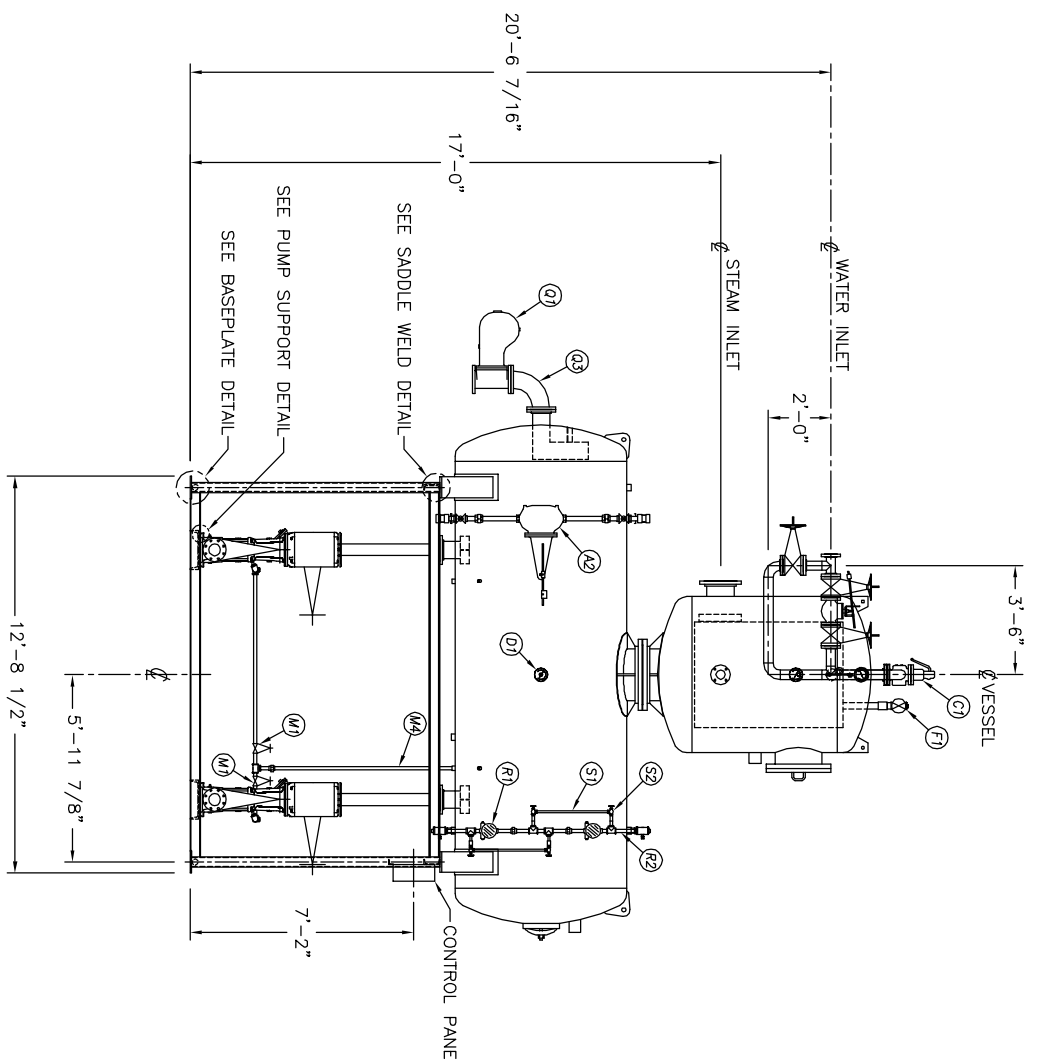
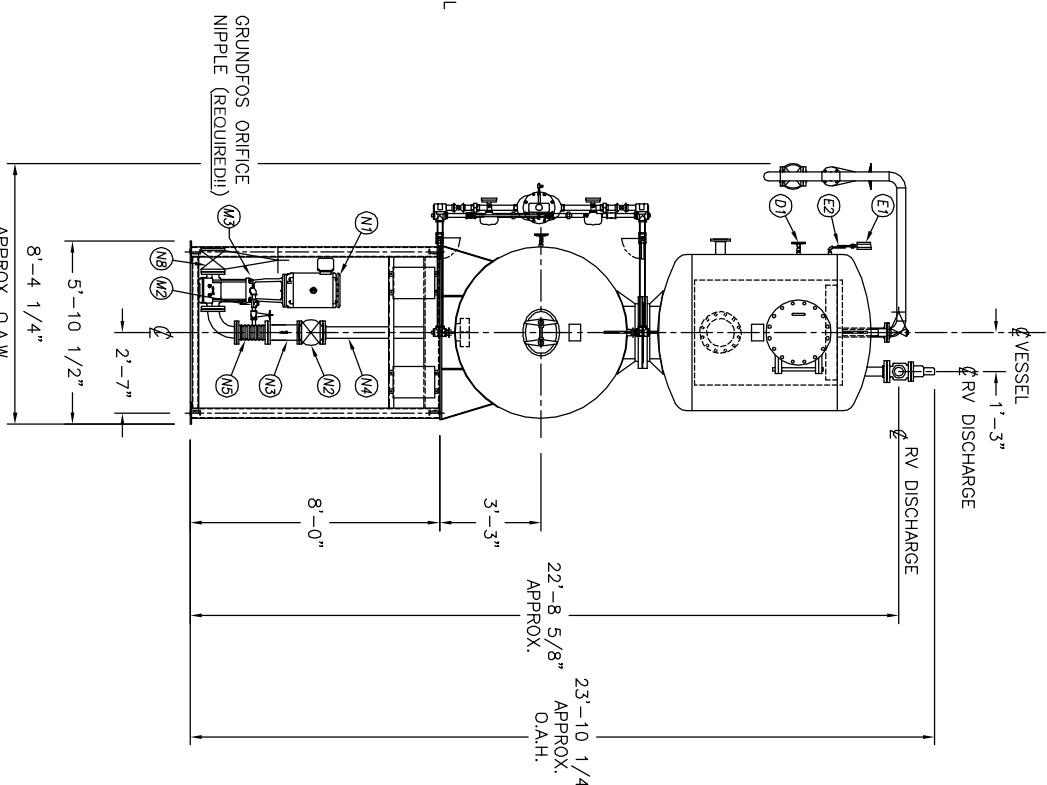


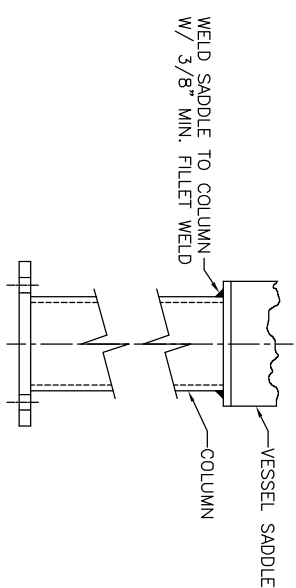
TOP VIEW



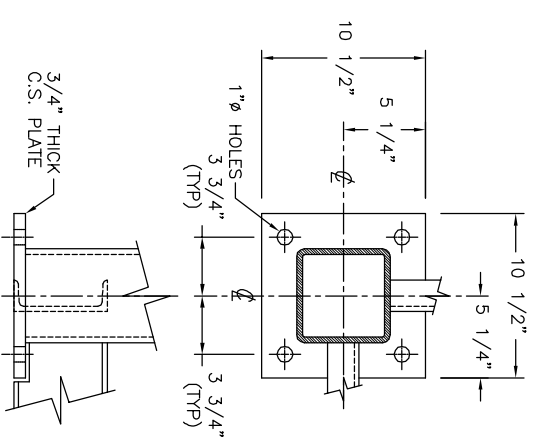
FRONT VIEW



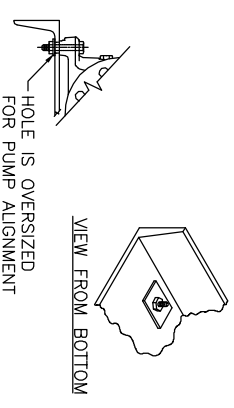
END VIEW



SADDLE WELD DETAIL
(TYP 4 PLACES)



BASEPLATE DETAIL
(TYP 4 PLACES)



PUMP SUPPORT DETAIL

A1	INLET VALVE		NONE	
A2	CONTROLLER		NONE	
A3	BYPASS VALVES	2	NIBCO	T-111
A4	MAKE UP BY-PASS PIPING	2	KOD SHOP	
A5	STRAINER		NONE	
B1	STEAM PRV		NONE	
B2	STEAM CONTROLLER		NONE	
B3	BYPASS VALVES		NONE	
B4	STEAM PRV BY-PASS PIPING		NONE	
B5	STRAINER	3	MUELLER	782
C1	RELIEF VALVE		NONE	
C2	RELIEF VALVE PIPING		NONE	
D1	THERMOWELL		NONE	
E1	PRESSURE GAUGE		NONE	
E2	SIPHON & COCK		NONE	
E3	PRESSURE TRANS		NONE	
F1	VENT VALVE		NONE	
F2	ORIFICE PLATES	#N/A	#N/A	
F3	BYPASS VALVES		NONE	
F4	VENT PIPING		NONE	
G1	IMV SPARE GASKETS		NONE	
H1	VACUUM BREAKER		NONE	
M1	BFP RECIRC SHUTTOFF			
M2	BFP RECIRC CHECK			
M3	BFP ORIFICE / VALVE			
M4	BFP PIPING		NONE	
M5	BFP PRESSURE GAUGE	4	GRUNDFOS	CR60-50U
M1	BOILER FEED PUMPS	4	NIBCO	FS17.0
N3	ISOLATION VALVE	4	MUELLER	788
N4	STRAINER	4	KOD SHOP	
N5	PIPING	4		
N6	EXPANSION JOINT			
N7	BFP DISC PRESSURE GAUGE			
N8	BFP DISC CHECK			
N8	BFP DISC ISOLATION			
O	CHEMICAL FEED QUILL		NONE	
P	IMV SPARE GASKETS		NONE	
Q1	OVERFLOW VALVE		NONE	
Q2	CONTROLER		NONE	
Q3	OVERFLOW PIPING		NONE	
R1	LEVEL SWITCHES		NONE	
R2	LEVEL SWITCH BRIDLE PIPING	1 1/2	NIBCO	T-111
S1	GAUGE GLASS		NONE	
S2	GAUGE GLASS BRIDLE PIPING	1 1/2	NIBCO	T-111
T1				
2	CONTROL PANEL STARTERS	NONE		
1	PUMP STAND	14.2		

NOTE:
CUSTOMER TO FIELD ALIGN PUMPS AND MOTORS, THEN SEND KOD CERTIFICATION PAPERS.

THIS DOCUMENT AND THE INFORMATION IT CONTAINS HAVE BEEN FURNISHED FOR USE BY YOUR OWN ORGANIZATION ONLY AND FOR PURPOSE CONSISTENT WITH THE TRANSACTION BETWEEN YOUR ORGANIZATION AND KANSAS CITY DEAFERATOR COMPANY. NO COPIES OF OR DATA FROM THIS DOCUMENT SHALL BE FURNISHED TO ANY THIRD PARTY WITHOUT THE WRITTEN AGREEMENT OF KANSAS CITY DEAFERATOR OVERLAND PARK, KANSAS 66209

NO.	DATE	DESCRIPTION OF CHANGE	BY

CLIENT: **KANSAS CITY DEAFERATOR CO.**
6731 W. 121st STREET
OVERLAND PARK, KANSAS 66209
(913) 338-2111 FAX (913) 338-2144

GENERAL ARRANGEMENT PACKAGE - BDSPP5514
MODEL: BDSPP149

JOB #	SCALE	DESIGNED	DRAWN	CHECKED	DATE	UTD
STD	NTS	MK	GENI	PC	6-16 2004	6-16 2004

DWG. NO.: **BDSPP149-5514-cr64-3**