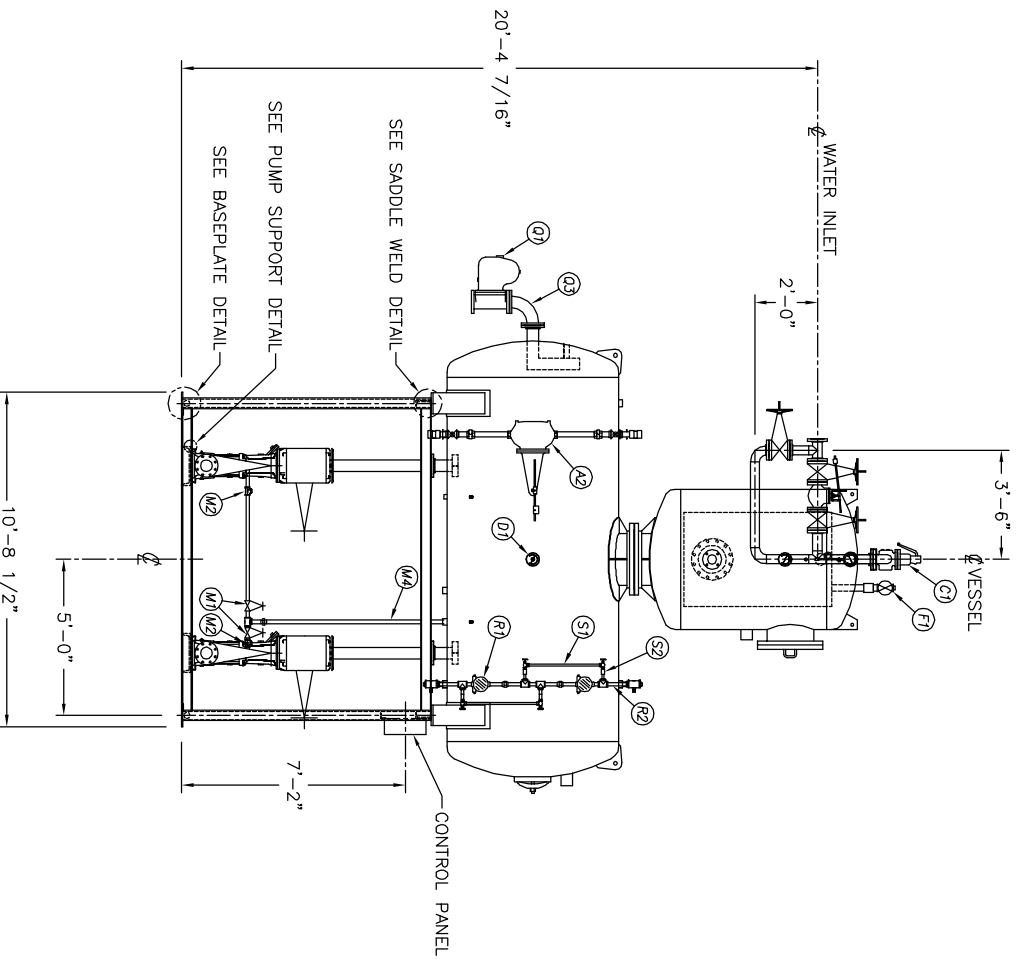
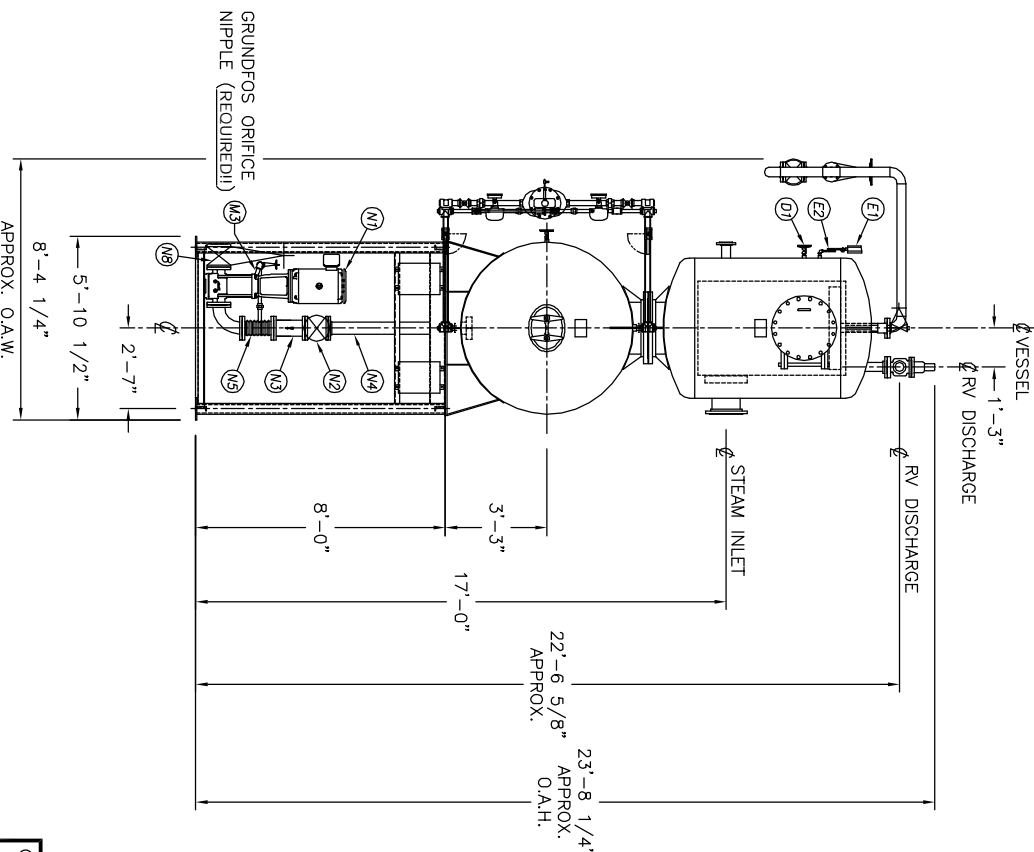


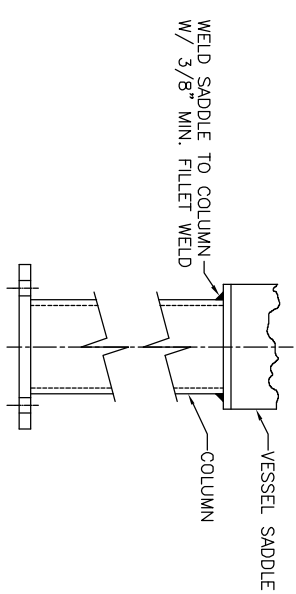
TOP VIEW



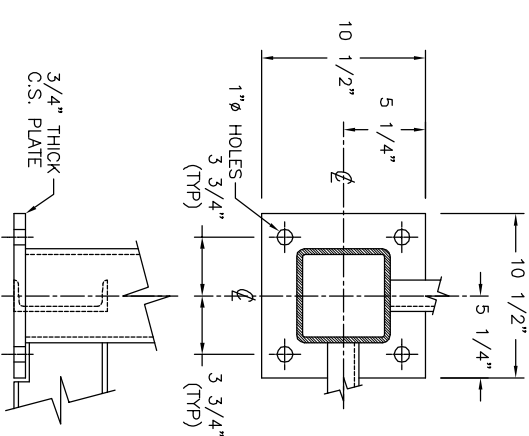
FRONT VIEW



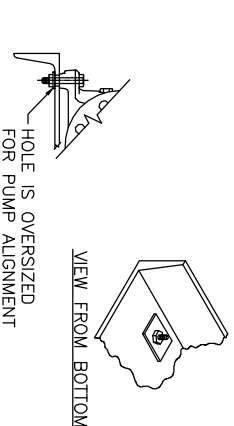
END VIEW



SADDLE WELD DETAIL  
(TYP 4 PLACES)



BASEPLATE DETAIL  
(TYP 4 PLACES)



PUMP SUPPORT DETAIL

A1	INLET VALVE			NONE	
A2	CONTROLLER			NONE	
A3	3 BYPASS VALVES	2		NIBCO	T-111
A4	1 MAKE UP BY-PASS PIPING	2		KOD SHOP	
A5	1 STRAINER			NONE	
B1	STEAM PRV			NONE	
B2	STEAM CONTROLLER			NONE	
B3	BYPASS VALVES			NONE	
B4	STEAM PRV BY-PASS PIPING	3		NONE	
B5	1 STRAINER			MUELLER	782
C1	RELIEF VALVE			NONE	
C2	RELIEF VALVE PIPING			NONE	
D1	THERMOWELL			NONE	
E1	PRESSURE GAUGE			NONE	
E2	SIPHON & COCK			NONE	
E3	PRESSURE TRANS			NONE	
F1	VENT VALVE			NONE	
F2	1 ORIFICE PLATES	#N/A		#N/A	
F3	BYPASS VALVES			NONE	
F4	VENT PIPING			NONE	
G1	1 MW SPARE GASKETS			NONE	
H1	VACUUM BREAKER			NONE	
M1	BFP RECIRC SHUTTOFF				
M2	BFP RECIRC CHECK				
M3	BFP ORIFICE / VALVE				
M4	BFP PIPING			NONE	
M5	BFP PRESSURE GAUGE				
M6	2 BOILER FEED PUMPS	4		GRUNDFOS	CR60-50U
N2	2 ISOLATION VALVE	4		NIBCO	FS17.0
N3	2 STRAINER	4		MUELLER	788
N4	2 PIPING	4		KOD SHOP	
N5	2 EXPANSION JOINT	4			
N6	BFP DISC PRESSURE GAUGE				
N7	BFP DISC CHECK				
N8	BFP DISCH ISOLATION				
O	CHEMICAL FEED QUILL			NONE	
P	1 MW SPARE GASKETS			NONE	
Q1	OVERFLOW VALVE			NONE	
Q2	CONTROLLER			NONE	
Q3	OVERFLOW PIPING			NONE	
R1	LEVEL SWITCHES			NONE	
R2	1 LEVEL SWITCH BRIDLE PIPING	1 1/2		NIBCO	T-111
S1	1 GAUGE GLASS			NONE	
S2	1 GAUGE GLASS BRIDLE PIPING	1 1/2		NIBCO	T-111
T1					
2	CONTROL PANEL				
	STARTERS			NONE	
1	PUMP STAND				
				14.2	

**NOTE:**  
CUSTOMER TO FIELD ALIGN PUMPS AND MOTORS, THEN SEND KOD CERTIFICATION PAPERS.

THIS DOCUMENT AND THE INFORMATION IT CONTAINS HAVE BEEN FURNISHED FOR USE BY YOUR OWN ORGANIZATION ONLY AND FOR PURPOSE CONSISTENT WITH THE TRANSACTIONS BETWEEN YOUR ORGANIZATION AND KANSAS CITY DEAERATOR COMPANY. NO COPIES OF OR DATA FROM THIS DOCUMENT SHALL BE FURNISHED TO ANY THIRD PARTY WITHOUT THE WRITTEN AGREEMENT OF KANSAS CITY DEAERATOR CO., OVERLAND PARK, KANSAS 66209

NO.	DATE	DESCRIPTION OF CHANGE	BY

CLIENT: **KANSAS CITY DEAERATOR CO.**  
 6731 W. 121st STREET  
 OVERLAND PARK, KANSAS 66209  
 (913) 338-2111 FAX (913) 338-2144

**GENERAL ARRANGEMENT PACKAGE - BDSPP5512**

MODEL: BDSPP122

JOB #	SCALE	DESIGNED	DRAWN	CHECKED	DATE	UTD
STD	NTS	MK	GENI	PC	6-15 2004	6-15 2004

DWG. NO.: **BDSPP122-5512-cr64-3**