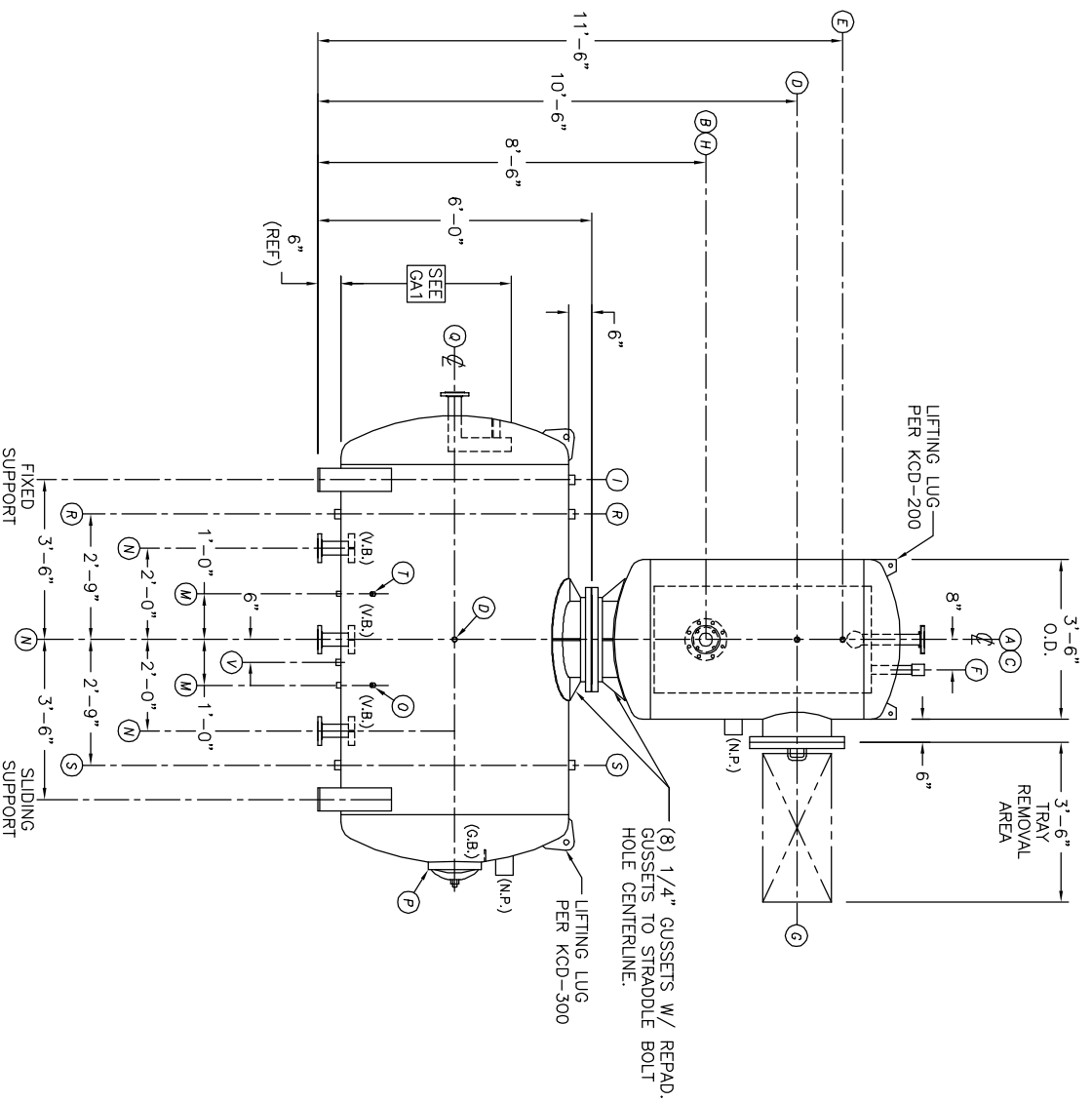
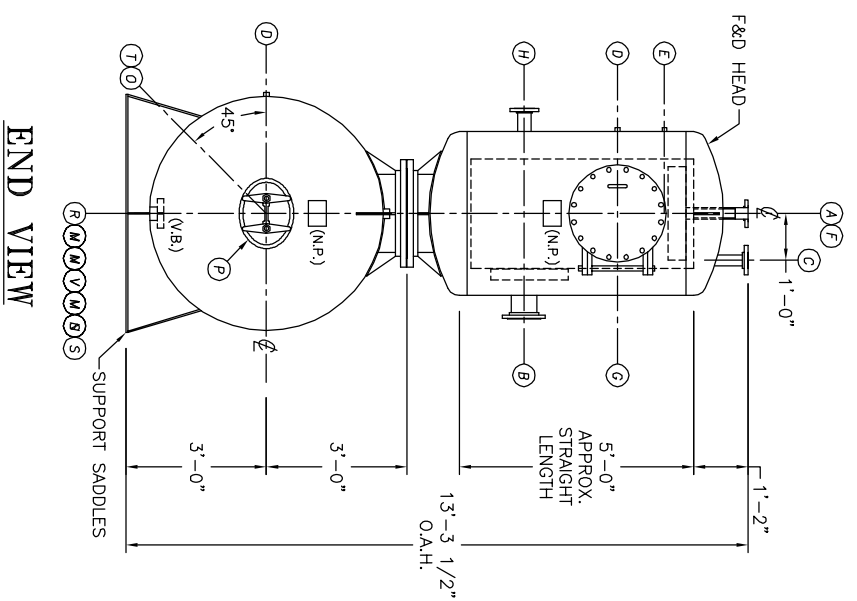


TOP VIEW



FRONT VIEW



END VIEW

- NOTES:**
1. SEE CONNECTION SCHEDULE FOR NOZZLE DESCRIPTIONS.
 2. STRAIGHT LENGTHS ARE APPROXIMATE. OVERALL LENGTH (OAL) IS TO BE HELD.
 3. FOR MISCELLANEOUS DETAILS SEE MD DRAWINGS
 4. DIMENSIONS ARE GIVEN FROM CENTER LINE OF TANKS TO NOZZLE CENTER LINE OR OUTSIDE FACE OF FLANGE.
 5. G.B. = GRAB BAR
V.B. = VORTEX BREAKER
N.P. = NAME PLATE
F.S. = FAR SIDE
D.S. = DRIP SHIELD
N.S. = NEAR SIDE
T.B. = TEE BAFFLE
CL = CENTER LINE

NOTE:
PUMP SUCTION NOZZLES
WILL BE ADDED TO MATCH
ANY PUMPS SUPPLIED BY KCD

THIS DOCUMENT AND THE INFORMATION IT CONTAINS HAVE BEEN FURNISHED FOR USE BY YOUR OWN ORGANIZATION ONLY AND FOR PURPOSE CONSISTENT WITH THE TRANSACTION BETWEEN YOUR ORGANIZATION AND KANSAS CITY DEAERATOR COMPANY. NO COPIES OF OR DATA FROM THIS DOCUMENT SHALL BE FURNISHED TO ANY THIRD PARTY WITHOUT THE WRITTEN AGREEMENT OF KANSAS CITY DEAERATOR CO., OVERLAND PARK, KANSAS 66209

NO.	DATE	DESCRIPTION OF CHANGE
-	-	-
-	-	-
-	-	-

CLIENT:		KANSAS CITY DEAERATOR CO. 6731 W. 121st STREET OVERLAND PARK, KANSAS 66209 (913) 338-2111 FAX (913) 338-2144	
JOB #	SCALE	DESIGNED	DRAWN
STD	NTS	MK	GENI
		PC	2004
TITLE:		GENERAL ARRANGEMENT	
MODEL:		BDSP71-5008	
DWG. NO.:	BDSP71-5008		
JOB #	SCALE	DESIGNED	DRAWN
STD	NTS	MK	GENI
		PC	2004
TITLE:		GENERAL ARRANGEMENT	
MODEL:		BDSP71-5008	
DWG. NO.:	BDSP71-5008		
JOB #	SCALE	DESIGNED	DRAWN
STD	NTS	MK	GENI
		PC	2004
TITLE:		GENERAL ARRANGEMENT	
MODEL:		BDSP71-5008	
DWG. NO.:	BDSP71-5008		

DATE	UTD
6-15	6-15
2004	2004