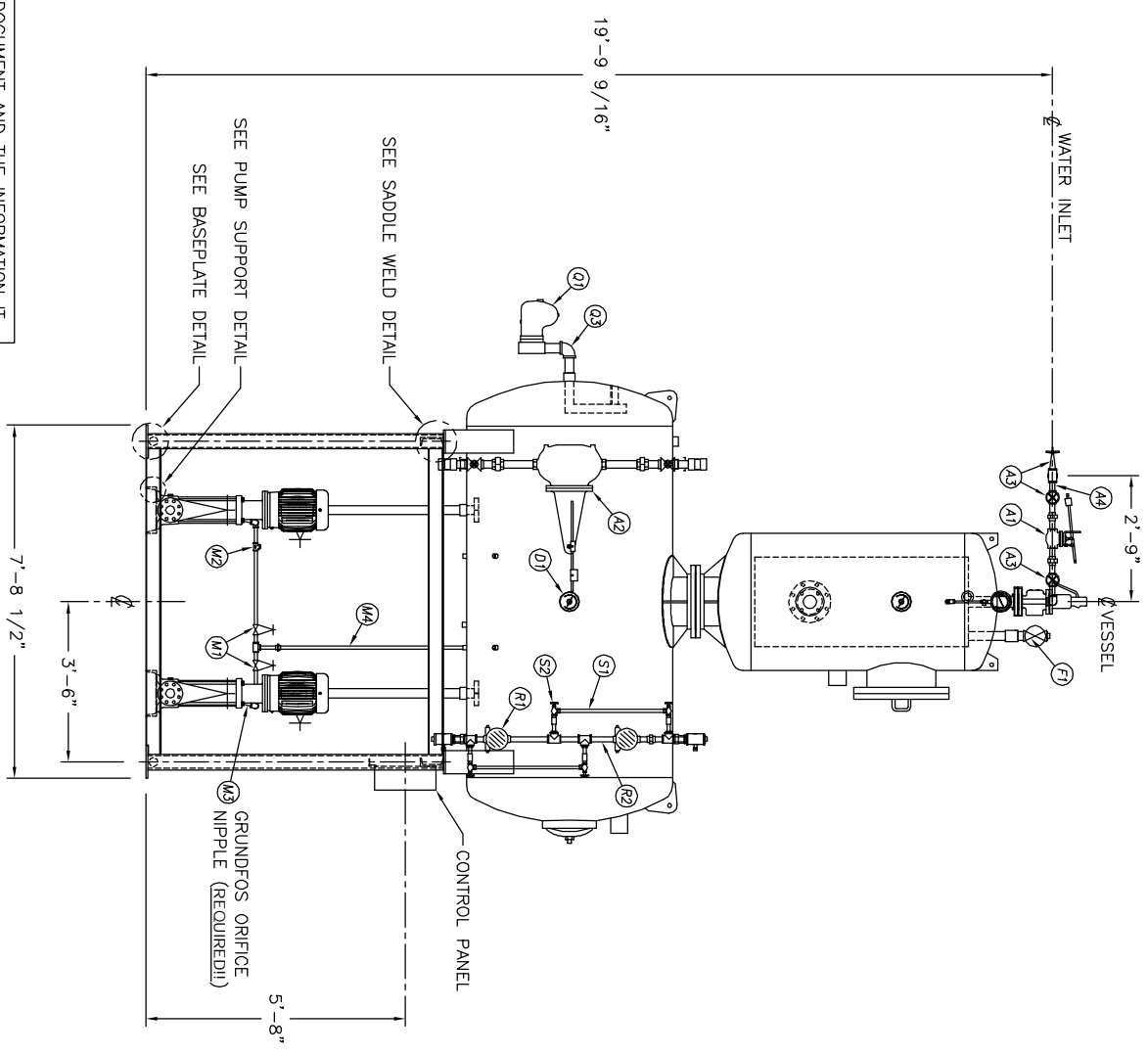
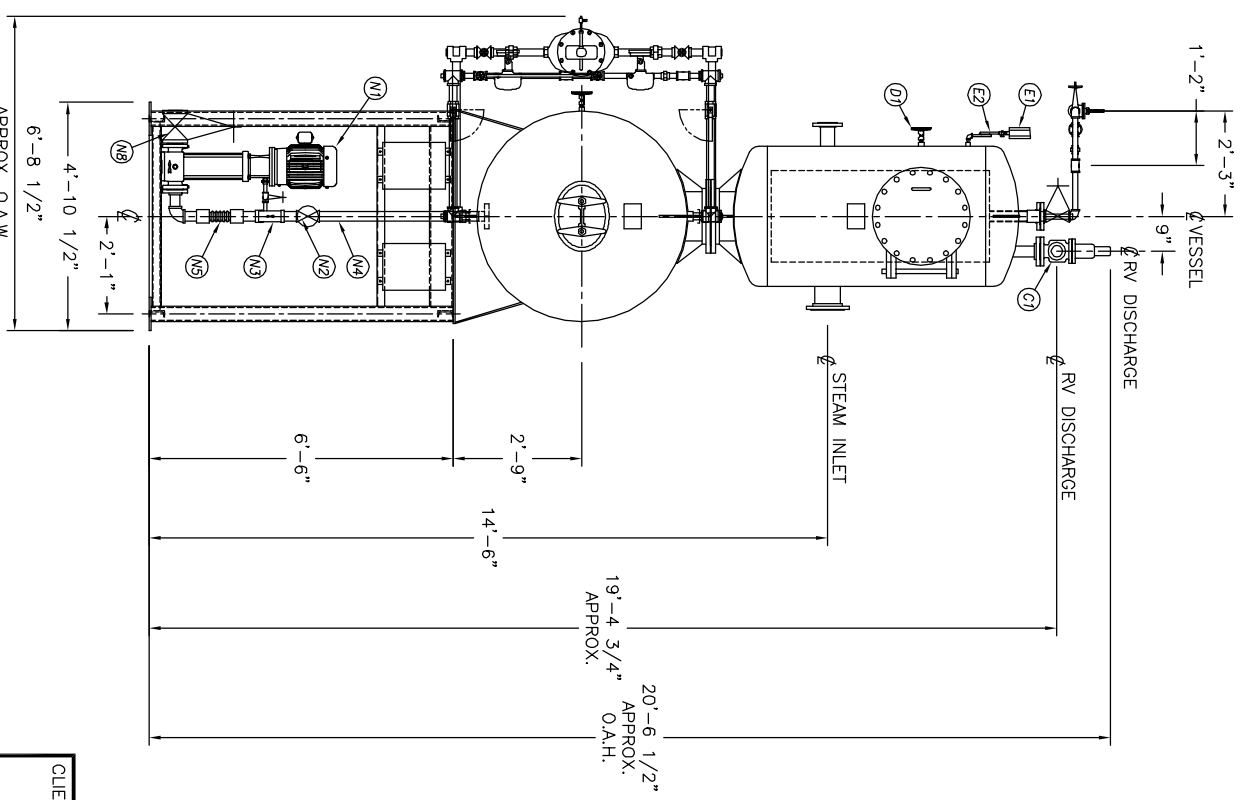


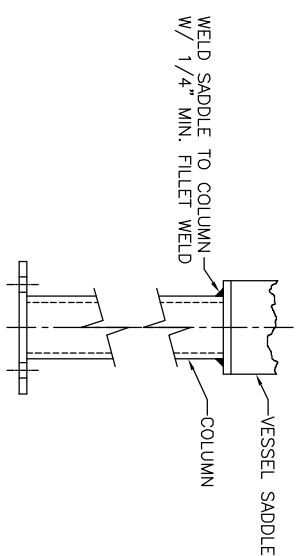
TOP VIEW



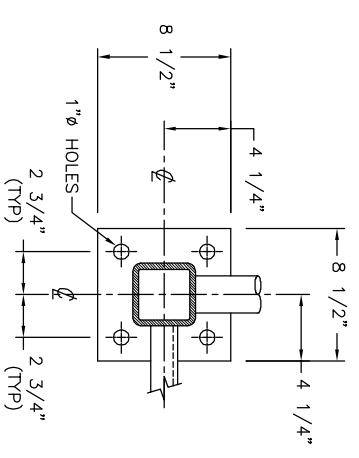
FRONT VIEW



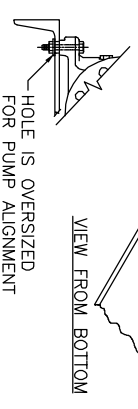
END VIEW



SADDLE WELD DETAIL
(TYP 4 PLACES)



BASEPLATE DETAIL
(TYP 4 PLACES)



PUMP SUPPORT DETAIL

CLIENT:						
KANSAS CITY DEAERATOR CO.						
6731 W. 121st STREET OVERLAND PARK, KANSAS 66209 (913) 388-2111 FAX (913) 338-2144						
JOB #	SCALE	DESIGNED	DRAWN	CHECKED	DATE	UTD
STD	NTS	MK	GENI	PC	6-15 2004	6-15 2004
TITLE: GENERAL ARRANGEMENT PACKAGE - BDSPP4508						
MODEL: BDSPP50						
DWG. NO.: BDSPP050-4508-cr16-80						

A1	INLET VALVE	NONE	
A2	CONTROLLER	NONE	
A3	3 BYPASS VALVES	NIBCO	T-111
A4	1 MAKE UP BY-PASS PIPING	KOD SHOP	
A5	1 STRAINER	NONE	
B1	STEAM PRV	NONE	
B2	STEAM CONTROLLER	NONE	
B3	2 BYPASS VALVES	NONE	
B4	1 STEAM PRV BY-PASS PIPING	NONE	
B5	1 STRAINER	MUELLER	782
C1	RELIEF VALVE	NONE	
C2	RELIEF VALVE PIPING	NONE	
D1	THERMOWELL	NONE	
E1	PRESSURE GAUGE	NONE	
E2	SIPHON & COCK	NONE	
E3	PRESSURE TRANS	NONE	
F1	VENT VALVE	NONE	
F2	1 ORIFICE PLATES	#N/A	
F3	2 BYPASS VALVES	NONE	
F4	1 VENT PIPING	NONE	
G1	1 MW SPARE GASKETS	NONE	
H1	1 VACUUM BREAKER	NONE	
M1	2 BFP RECIRC SHUTTOFF		
M2	2 BFP RECIRC CHECK		
M3	2 BFP ORIFICE / VALVE		
M4	2 BFP PIPING	NONE	
M5	2 BFP PRESSURE GAUGE		
M6	2 BOILER FEED PUMPS	GRUNDFOS	CR60-50U
M7	2 ISOLATION VALVE	NIBCO	F817.0
N1	2 STRAINER	MUELLER	788
N2	2 PIPING		
N3	2 EXPANSION JOINT		
N4	2 BFP DISC PRESSURE GAUGE		
N5	2 BFP DISC CHECK		
N6	2 BFP DISC ISOLATION		
N7	2 BFP DISC ISOLATION		
N8	2 BFP DISC ISOLATION		
O	CHEMICAL FEED QUILL	NONE	
P	1 MW SPARE GASKETS		
Q1	OVERFLOW VALVE	NONE	
Q2	CONTROLLER	NONE	
Q3	OVERFLOW PIPING	NONE	
R1	1 LEVEL SWITCHES	NONE	T-111
R2	1 LEVEL SWITCH BRIDLE PIPING	NONE	T-111
S1	1 GAUGE GLASS	NONE	
S2	1 GAUGE GLASS BRIDLE PIPING	NONE	T-111
T1			
2	CONTROL PANEL		
	STARTERS	NONE	
1	PUMP STAND	14.2	

NOTE:
CUSTOMER TO FIELD ALIGN PUMPS AND MOTORS, THEN SEND KCD CERTIFICATION PAPERS.

THIS DOCUMENT AND THE INFORMATION IT CONTAINS HAVE BEEN FURNISHED FOR USE BY YOUR OWN ORGANIZATION ONLY AND FOR PURPOSE CONSISTENT WITH THE TRANSACTIONS BETWEEN YOUR ORGANIZATION AND KANSAS CITY DEAERATOR COMPANY. NO COPIES OF OR DATA FROM THIS DOCUMENT SHALL BE FURNISHED TO ANY THIRD PARTY WITHOUT THE WRITTEN AGREEMENT OF KANSAS CITY DEAERATOR CO., OVERLAND PARK, KANSAS 66209

NO.	DATE	DESCRIPTION OF CHANGE
-	-	-
-	-	-
-	-	-
-	-	-
-	-	-

BY